



Palload

by Palazzani

TECHNICAL SHEET PL185

PL 185

ARTICULATED LOADER

ENGINE

Complies with European Directive Model	97/68 CE - STAGE 3 Perkins 1104D - E44T
Max. power ISO 14396	HP - kW 104 - 76,7
Regimen adjusted	rpm 2200
Power adjusted ISO 14396	HP - kW 104 - 76,7
Number of cylinders - injection	4 - direct- electronic
Intake	Turbo feeded
Displacement	cc. 4400
Cooling	water
Air filter with double protection	dry
Electrical equipment	volt 12
Free maintenance battery	Ah 105
Self regulated alternator	W 1020
Fuel tank capacity	l 130
Water radiator	Hydraulic fan

TRANSMISSION

High-pressure, closed-loop hydrostatic transmission, with automatic adjustment of power, axial pistons pump and engine at variable displacement
Inching pedal control for traction regulation, modulating, integrated in the service brake pedal
Mechanic gear with 2 speeds with electric control and electronic speed change
N° 4 forward and backward speeds

SPEED

		1 ^a	2 ^a	3 ^a	4 ^a
Forwards	km/h	0 ÷ 6,5	0 ÷ 14	0 ÷ 18	0 ÷ 40
Backwards	km/h	0 ÷ 6,5	0 ÷ 14	0 ÷ 18	0 ÷ 40

AXLES

With epicycloids reduction on all four driving wheels.

Front axle:	rigid with automatic proportional self-locking differential.
Rear axle:	oscillating of a 25° total range steering and automatic proportional self-locking differential.

BRAKES

Duty brakes:	with hydraulic control on all four wheels at multiple disks under oil bath integrated in the axles, with 2 independent circuits.
Parking brakes:	electro-hydraulic automatic negative brake, acting on the front axle.

HYDRAULIC SYSTEM

Composed by: hydraulic gear pump, modular distributor with relief valve and shock-proof and anticavitation valves on uses.
Pressurised circuit.

Max pump capacity	112 l
Max pump pressure	230 bar
Loader lifting cylinder	bore x stroke 95 x 710 mm
Loader bucket cylinder	bore x stroke 105 x 422 mm
Oil tank capacity	70 l
Heat exchanger	hydraulic fan

STEERING

Servo assisted, with hydro guide and articulated chassis. Total steering angle of 80°. The hydraulic system is "Load Sensing" equipped.

Steering radius interior tyres	2865 mm
Steering radius exterior tyres	5120 mm
Steering radius exterior bucket	5665 mm

TYRES

Standard:	15,5 x 25 radial
Optional:	455/70 R24 radial
Optional:	17,5 x 25 radial

LOADER

Single servo control lever for arm and bucket.
Electronic bucket floating and levelling.
"Z" boom kinematics.

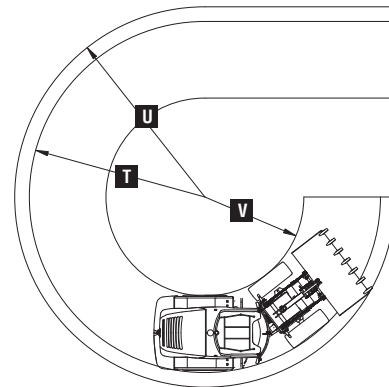
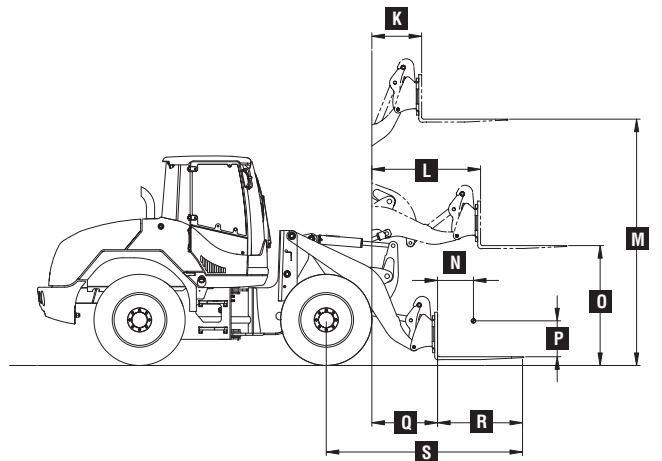
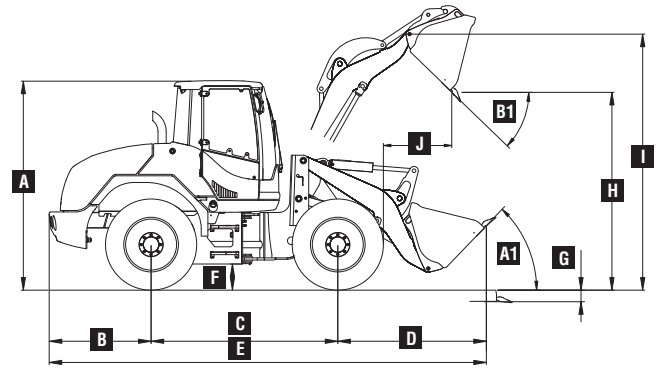
Standard bucket width and capacity	2200 mm - 1,20 m ³
Enlarged bucket width and capacity	2400 mm - 1,35 m ³
Breakout force	6600 kg
Lifting capacity at max height	3700 kg

DIMENSIONS AND WEIGHTS

Wheelbase	2700 mm
Front and rear track width	1730 mm
External tyres width (with 15.5x25)	2134 mm
Bucket pin height	3550 mm
Unloading distance (with bucket at 45°)	985 mm
Unloading height (with bucket at 45°)	2760 mm
Standard operating weight	8000 kg
Max operating weight	8500 kg

STANDARD EQUIPMENT

- > Loader servo control
- > Automatic proportional self-locking differential on front and rear axle
- > Inching control on brake pedal (transmission speed regulation)
- > Antipollution tank plugs
- > Bucket with screwed teeth
- > Reverse motion alarm
- > Battery disconnecting switch
- > Front and rear work lights
- > Rotating lamp with magnetic fixing
- > Shock absorbing and regulating "Deluxe" seat, with safety belt
- > Regulating steering wheel
- > Bucket electronic levelling
- > Floating system
- > Heating plant
- > Air filter in aspiration from outside
- > Rotoform front mudguards
- > Tool box
- > Use and maintenance manual, spare parts catalogue
- > Accessories for road circulation
- > Italian road homologation for daily and night circulation
- > CE Certification



OPTIONAL EQUIPMENT

- > Hydraulic quick bucket connection
- > Universal forks
- > Enlarged bucket
- > Extra enlarged bucket for light material
- > Enlarged bucket for light material having higher unloading
- > 4:1 multipurpose bucket
- > Paper and branches grab
- > Bucket with side unloading
- > Mixer bucket
- > Wood grab
- > Snow blade or snow plough
- > Front rotating brush with bucket
- > Teeth blade
- > Asphalt concrete milling
- > Inching control manually operated
- > Electronic weighting system
- > Air conditioning
- > Radio
- > Theft protection
- > Ride control

For other accessories and equipment, for characteristics and dimensions, please see the "equipment catalogue".

PALOAD is a mark produced by Palazzani Industrie S.p.A.

OPERATIVE DATA

Tipping load with aligned machine kg 6770		Operative load with forks EN 474-3 (80%) kg 3700	
Tipping load in max articulated position kg 6000		Operative load with forks EN 474-3 (60%) kg 2800	
A mm 2860	H mm 2760	K mm 725	R mm 1200
B mm 1320	I mm 3550	L mm 1540	S mm 2700
C mm 2700	J mm 985	M mm 3400	T mm 5120
D mm 2200		N mm 500	U mm 5660
E mm 6220		O mm 1635	V mm 2860
F mm 365		P mm 500	A1 45°
G mm 80		Q mm 900	B1 45°

N C 315 A 07 Technical sheet PL 185 english Rev.09/2010



MACHINE IN CONFORMITY TO THE NEW MACHINES' STANDARDS 
We reserve the right to change technical data, so all characteristics are purely indicative.
Pictures don't show necessarily the machine in standard version.

COMPANY WITH QUALITY MANAGEMENT SYSTEM CERTIFIED BY DNV = **ISO 9001:2008** =