



Palload

by Palazzani

TECHNICAL SHEET PL195

PL 195

ARTICULATED LOADER

ENGINE

Complies with European Directive Model	97/68 CE - STAGE 3 Perkins 1104D - E44TA
Max. power ISO 14396	HP - kW 131,7 - 96,8
Regimen adjusted	rpm 2200
Power adjusted ISO 14396	HP - kW 130,4 - 95,9
Number of cylinders - injection	4 - direct- electronic
Intake	Turbo feeded intercooler
Displacement	cc. 4400
Cooling	water
Air filter with double protection	dry
Electrical equipment	volt 12
Free maintenance battery	Ah 105
Self regulated alternator	W 1020
Fuel tank capacity	l 130
Water radiator	Hydraulic fan

TRANSMISSION

High-pressure, closed-loop hydrostatic transmission, with automatic adjustment of power, pump at variable capacity, n° 2 hydraulic motors with axial pistons at variable displacement.
Inching pedal control for traction regulation, modulating, integrated in the service brake pedal
4 speeds forwards and 4 speeds backwards with electric control on the steering wheel and on the servo control with the possibility to change speed in motion and under load (HYDROSTATIC SHIFT)

SPEED

		1 ^a	2 ^a	3 ^a	4 ^a
Forwards	km/h	0 ÷ 6,5	0 ÷ 10	0 ÷ 12	0 ÷ 35
Backwards	km/h	0 ÷ 6,5	0 ÷ 10	0 ÷ 12	0 ÷ 35

AXLES

With epicycloids reduction on all four driving wheels.

Front axle:	rigid with automatic proportional self-locking differential.
Rear axle:	oscillating of a 25° total range steering and automatic proportional self-locking differential.

BRAKES

Duty brakes:	with hydraulic control on all four wheels at multiple disks under oil bath integrated in the axles, with 2 independent circuits.
Parking brakes:	electro-hydraulic automatic negative brake, acting on the rear axle.

HYDRAULIC SYSTEM

Composed by: two hydraulic gear pump, modular distributor with relief valve and shock-proof and anticavitation valves on uses. Pressurised circuit.

Max pump capacity	123 l
Max pump pressure	230 bar
Loader lifting cylinder	bore x stroke 100 x 700 mm
Loader bucket cylinder	bore x stroke 110 x 420 mm
Oil tank capacity	70 l
Heat exchanger	hydraulic fan

STEERING

Servo assisted, with hydro guide and articulated chassis. Total steering angle of 80°. The hydraulic system is "Load Sensing" equipped.

Steering radius interior tyres	2820 mm
Steering radius exterior tyres	5160 mm
Steering radius exterior bucket	5700 mm

TYRES

Standard:	17,5 x 25 radial
Optional:	15,5 x 25 radial
Optional:	500/70 R24 radial
Other models on request.	

LOADER

Single servo control lever for arm and bucket.
Electronic bucket floating and levelling.
"Z" boom kinematics.

Standard bucket capacity	1,50 m ³
Standard bucket width	2400 mm
Breakout force	7200 kg
Lifting capacity at max height	4100 kg

DIMENSIONS AND WEIGHTS

Wheelbase	2700 mm
Front and rear track width	1790 mm
External tyres width (with 17.5x25)	2250 mm
Bucket pin height	3680 mm
Unloading distance (with bucket at 45°)	1050 mm
Unloading height (with bucket at 45°)	2900 mm
Standard operating weight	8600 kg
Max operating weight	9000 kg

STANDARD EQUIPMENT

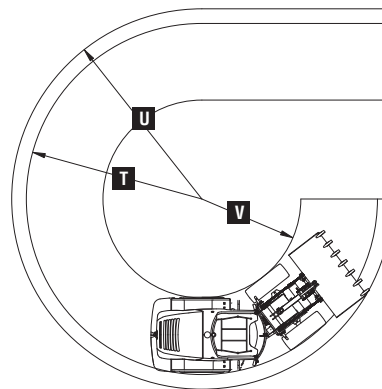
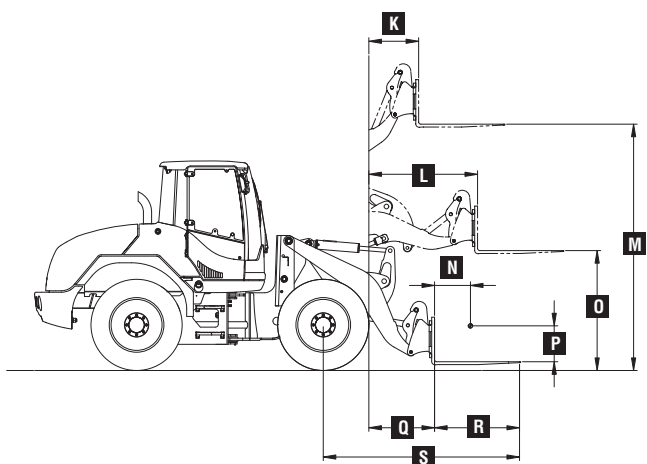
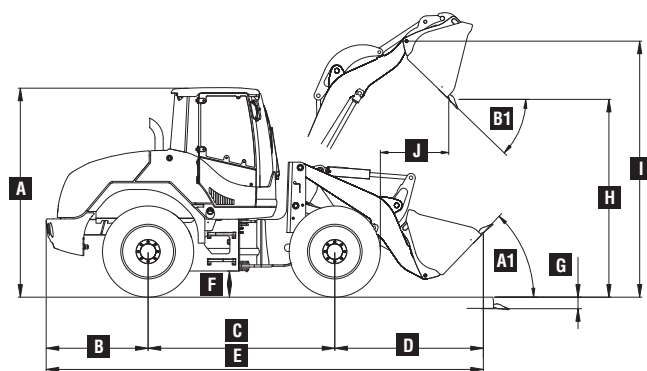
- > Loader servocontrol
- > Automatic proportional self-locking differential on front and rear axle
- > Inching control on brake pedal (transmission speed regulation)
- > Antipollution tank plugs
- > Bucket with screwed teeth
- > Reverse motion alarm
- > Battery disconnecting switch
- > Front and rear work lights
- > Rotating lamp with magnetic fixing
- > Shock absorbing and regulating "Deluxe" seat, with safety belt
- > Regulating steering wheel
- > Bucket electronic levelling
- > Floating system
- > Heating plant
- > Air filter in aspiration from outside
- > Rotoform front mudguards
- > Tool box
- > Use and maintenance manual, spare parts catalogue
- > Accessories for road circulation
- > Italian road homologation for daily and night circulation
- > CE Certification

OPTIONAL EQUIPMENT

- > Hydraulic quick bucket connection
- > Universal forks
- > Enlarged bucket
- > Extra enlarged bucket for light material
- > Enlarged bucket for light material having higher unloading
- > 4:1 multipurpose bucket
- > Paper and branches grab
- > Bucket with side unloading
- > Mixer bucket
- > Wood grab
- > Snow blade or snow plough
- > Front rotating brush with bucket
- > Teeth blade
- > Asphalt concrete milling
- > Inching control manually operated
- > Electronic weighting system
- > Air conditioning
- > Radio
- > Theft protection
- > Ride control

For other accessories and equipment, for characteristics and dimensions, please see the "equipment catalogue".

PALOAD is a mark produced by Palazzani Industrie S.p.A.



OPERATIVE DATA

Tipping load with aligned machine kg 6800		Operative load with forks EN 474-3 (80%) kg 3800	
Tipping load in max articulated position kg 6100		Operative load with forks EN 474-3 (60%) kg 2850	
A mm 2890	H mm 2900	K mm 785	R mm 1200
B mm 1320	I mm 3680	L mm 1670	S mm 2930
C mm 2700	J mm 1050	M mm 3550	T mm 5165
D mm 2380		N mm 500	U mm 5720
E mm 6400		O mm 1670	V mm 2830
F mm 400		P mm 500	A1 45°
G mm 100		Q mm 1100	B1 45°

N C 316 A 07 Technical sheet PL 195 english Rev.09/2010



MACHINE IN CONFORMITY TO THE NEW MACHINES' STANDARDS



We reserve the right to change technical data, so all characteristics are purely indicative. Pictures don't show necessarily the machine in standard version.

COMPANY WITH QUALITY MANAGEMENT SYSTEM CERTIFIED BY DNV = ISO 9001:2008 =